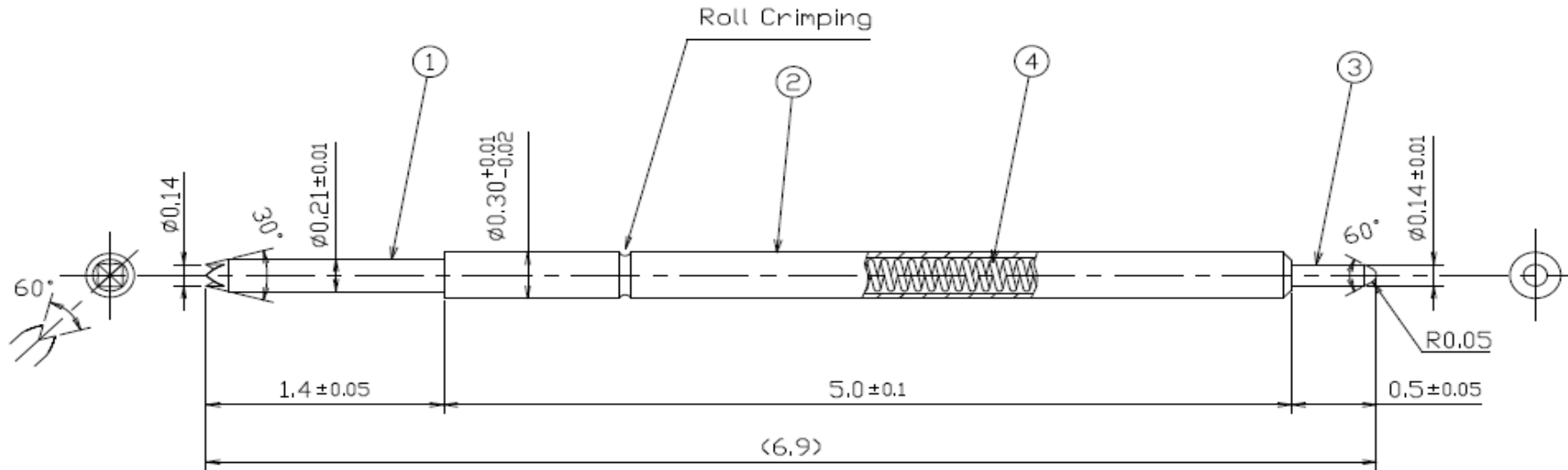


KW1-030AH/AR-22 DATA SHEET

Pitch **0.40 mm** Length **6.9 mm**



SPECIFICATIONS (Approximate Average Values)

Mechanical Specifications	Spring Force at Operating Travel	$32\text{gf} \pm 8\text{gf}$ @ 0.60mm stroke
	Pre Stroke (Recommended)	0.20 mm (Recommended)
	Maximum Stroke	0.70 mm
	Operating Temperature	-40°C to $+125^\circ\text{C}$
Material and Finishes	Plunger Item # 1	Hard BeCu / Palladium Cobalt Plated
	Barrel Item # 2	Au Clad
	Plunger Item # 3	Hardened BeCu / Au Plated
	Spring	Stainless Steel / Au Plated

