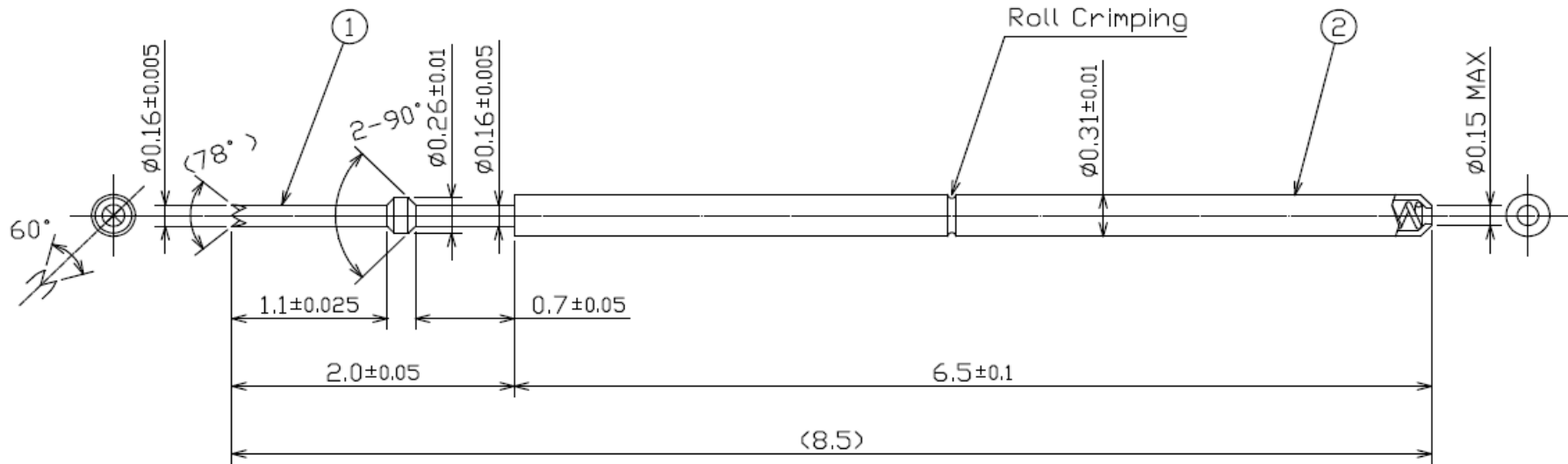


K2-0.31H-2.0M-1 DATA SHEET

Pitch **0.70 mm** Length **8.5 mm**



Mechanical Specifications	Spring Force at Operating Travel	15gf ± 3gf @ 0.50mm stroke
	Maximum Travel	0.70mm (REF.)
	Pre Travel (Recommended)	0.25mm (Recommended)
	Operating Temperature	-40 °C to +150 °C
Material and Finishes	Plunger	Pd Alloy
	Barrel	Phosphor Bronze / Au Plated
	Spring	Stainless Steel / Au Plated